

# Ray S HSG

## Track Spot

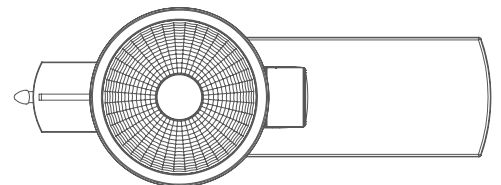
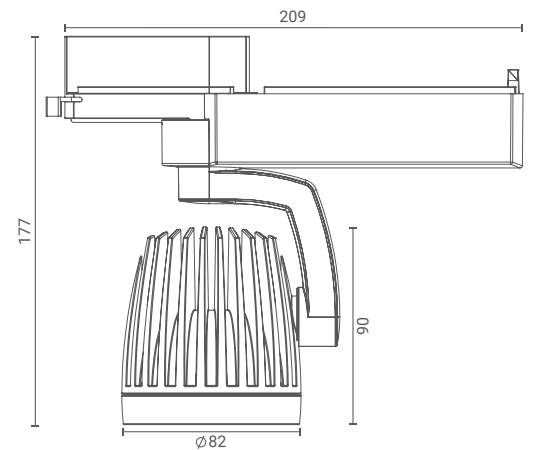
Introducing track mounted spotlight that highlight the desired subject or place and provide optimum illumination by being nondescript.

The simplicity of its form provides smooth integration in architectural features.



### Product Specs :

Model name :	<b>Ray S HSG Track Spot</b>
Weight:	<b>0.5kg</b>
Certificate Available:	<b>Self Declaration Certificates</b>
Colors Available:	<b>Black / White</b>
System Lumen:	<b>1928 lm</b>
System Wattage:	<b>19 W</b>
DC Current:	<b>500 mA</b>
Efficacy:	<b>103 lm/W</b>
CCT(K) :	<b>3000K</b>
CRI:	<b>&gt; 90</b>
Bining:	<b>≤3SDCM</b>
Lifetime:	<b>L80/B10 (&gt;50,000hrs@Ta-30°C)</b>
Beam Angle:	<b>21°</b>
IP Rating:	<b>IP20</b>
UGR:	<b>&lt;18</b>
Efficiency:	<b>&gt;93%</b>



### Driver Specs :

Input:	<b>220-240V ~50/60Hz</b>
Driver Type:	<b>On-Off/ Dali2/DT8/AD/TD/BLE</b>
THD:	<b>&lt;10%</b>
Tunable & Dimmable:	<b>Only Dimmable</b>

